

LPA70 Series

# Premium Aluminum Full-Motion TV Wall Mounts

Inspired by modern home concept, the concise, elegant LPA70 Series is designed to become a part of residential décor rather than mere TV wall mounts. Featuring a solid frame, these wall mounts support TVs up to 70kg/154lbs securely.



**treefruit**

Graphic content and creative work  
provided by treefruit.cn



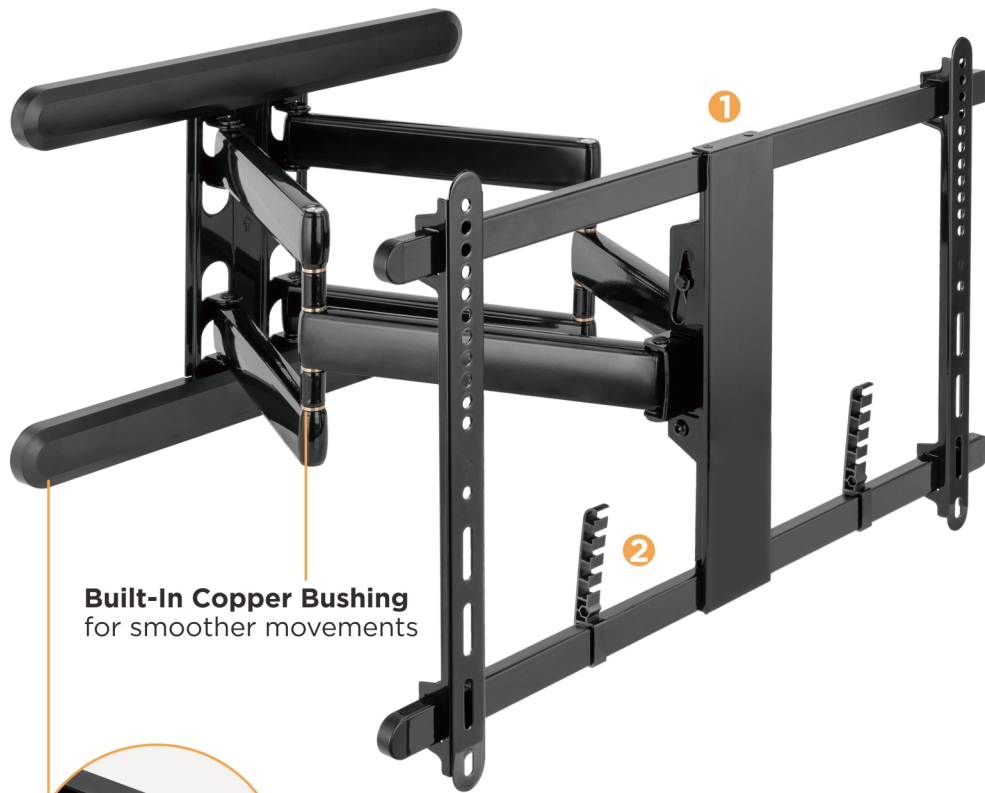
LPA70 Series  
Features Video

E-mail: [info@lumi.cn](mailto:info@lumi.cn) / [www.lumi.cn](http://www.lumi.cn)

## LPA70 Series

# Premium Aluminum Full-Motion TV Wall Mounts

**LUMI**  
home



**Built-In Copper Bushing**  
for smoother movements



**Magnetic Contact**  
easily attach the  
decorative covers



**Reliable Tilting Mechanism**  
aids in adjusting TVs easily and  
safely (Allen Key Included)



**Multi-Function Cable Clips**  
organize cables and hold tools

*A Uniquely Designed and Profitable Mounting  
Solution for Discriminating Consumers.*

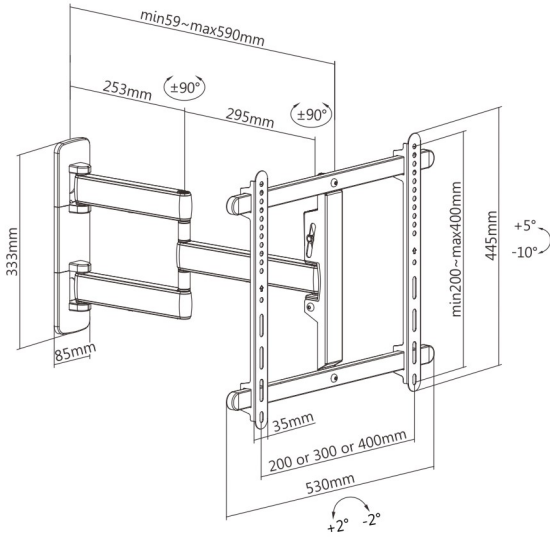


# LPA70 Series

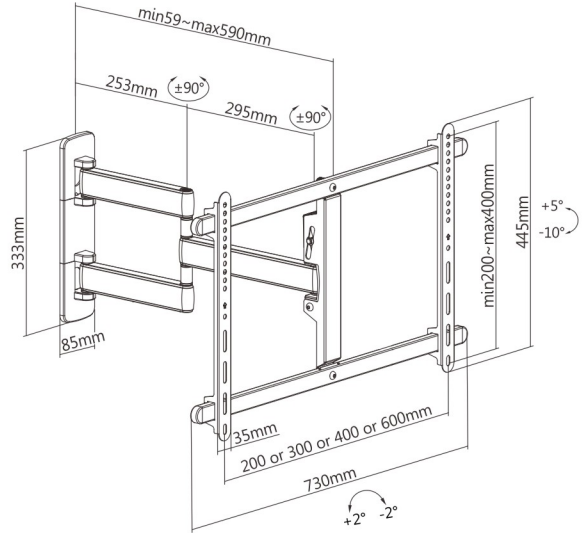
## Premium Aluminum Full-Motion TV Wall Mounts



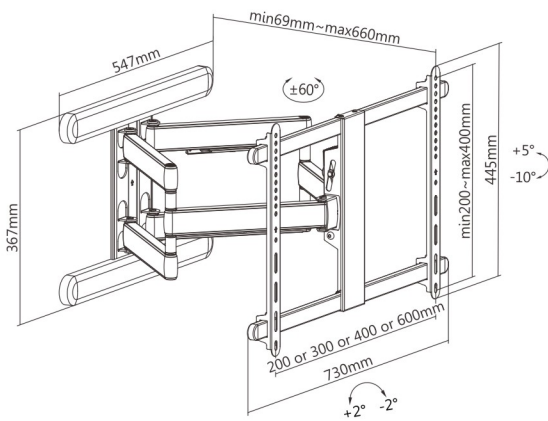
**LPA70-443**



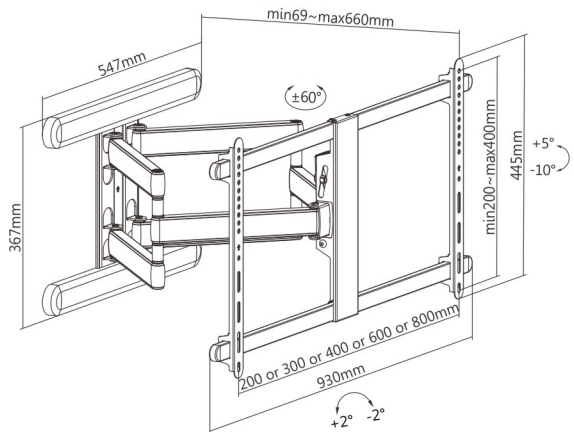
**LPA70-463**



**LPA70-466**



**LPA70-486**



Colors:

Item No.	LPA70-443	LPA70-463	LPA70-466	LPA70-486
Fit Screen Size	32"-70"	37"-80"	37"-80"	43"-90"
Weight Capacity	50kg/110lbs	50kg/110lbs	70kg/154lbs	70kg/154lbs
Max. VESA	400x400	600x400	600x400	800x400
Profile	59-590mm(2.3"-23.2")	59-590mm(2.3"-23.2")	69-660mm(2.7"-26")	69-660mm(2.7"-26")
Tilt Range	+5--10°	+5--10°	+5--10°	+5--10°
Swivel Range	+90°--90°	+90°--90°	+60°--60°	+60°--60°
Screen Level	+2°--2°	+2°--2°	+2°--2°	+2°--2°