

# CS-H6c-R105-1L2WF

Smart Wi-Fi Pan&Tilt Camera



## Introduction

EZVIZ products have been designed for your entertainment, communication and security. When you install the EZVIZ App on your smartphone or tablet, EZVIZ devices will be connected to the cloud via their QR code and will immediately be online. With EZVIZ you can talk to your loved ones, watch your child's progress when you are away, keep an eye on your home, interact with your four-legged friends and prevent household accidents.

## Main Features



Motorized Pan and Tilt 360° Visual Coverage



Night Vision (Up to 10m/33ft)



Motion Detection



Two-way Calling with Button



D-WDR Digital wide dynamic



2.4GHz Wi-Fi



Smart Color Night Vision with Light (Up to 5m)



Human Shape Detection & Tracking



Patrol Mode



Loud Noise Detection

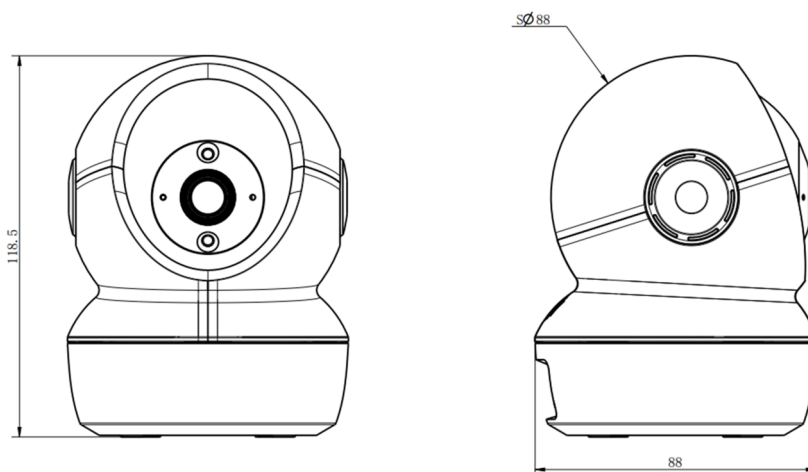


Sleep Mode



MicroSD Slot for Local Storage (Up to 256GB)

## Dimension



# Specifications

<b>Model</b>	<b>CS-H6c-R105-1L2WF</b>
<b>Camera (1080P Pro)</b>	
<b>Image sensor</b>	F1.6@1/3" Progressive Scan CMOS
<b>Shutter Speed</b>	Self-adaptive shutter
<b>Lens</b>	4mm, view angle: 90°(Diagonal), 80° (Horizontal), 43°(Vertical)
<b>Lens Mount</b>	M12
<b>Day &amp; Night</b>	IR-cut filter with auto-switching
<b>DNR</b>	3D DNR
<b>WDR</b>	Digital WDR
<b>Compression</b>	
<b>Video Compression</b>	H.264/H.265
<b>Video Bit Rate</b>	Adaptive bit rate.
<b>Image</b>	
<b>Max. Resolution</b>	1920 × 1080
<b>Frame Rate</b>	Max : 25fps; Self-Adaptive during network transmission
<b>Network</b>	
<b>Smart Alarm</b>	Motion detection、 Human Detection、 Human Tracking、 Big Noise Detection、 Auto patrol
<b>Wi-Fi Pairing</b>	AP pairing
<b>Protocol</b>	EZVIZ cloud proprietary protocol
<b>Interface Protocol</b>	EZVIZ cloud proprietary protocol
<b>Interface</b>	
<b>Storage</b>	Micro SD card slot (Max. 256G)
<b>Power</b>	TYPE-C
<b>Wired Network</b>	RJ45 X 1 (10M/100M self-adaptive Ethernet port)
<b>Wi-Fi</b>	
<b>Standard</b>	IEEE802.11b, 802.11g, 802.11n
<b>Frequency Range</b>	2.4 GHz ~ 2.4835 GHz
<b>Channel Bandwidth</b>	Supports 20MHz
<b>Security</b>	WPA/WPA2, WPA-PSK/WPA2-PSK
<b>Transmission Rate</b>	11b: 11Mbps, 11g :54Mbps, 11n :72Mbps
<b>Output Power (EIRP)</b>	19 dBm
<b>Antenna Gain</b>	1.9 dBi
<b>General</b>	
<b>Operating Conditions</b>	-10°C to 45°C (14°F to 113 °F ), Humidity 95% or less (non-condensing)
<b>Power Supply</b>	DC 5V/1A
<b>Power Consumption</b>	5W max
<b>IR Range</b>	MAX. 10 meters(32. 81ft)
<b>Dimensions</b>	88mm x 88.2 mm x 119mm (3.46" x 3.47" x 4.69")
<b>Packaging Dimensions</b>	103mm x 103mm x 168mm (4.06" x 4.06" x 6.61")
<b>Bare Weight</b>	218g(0.48lb)