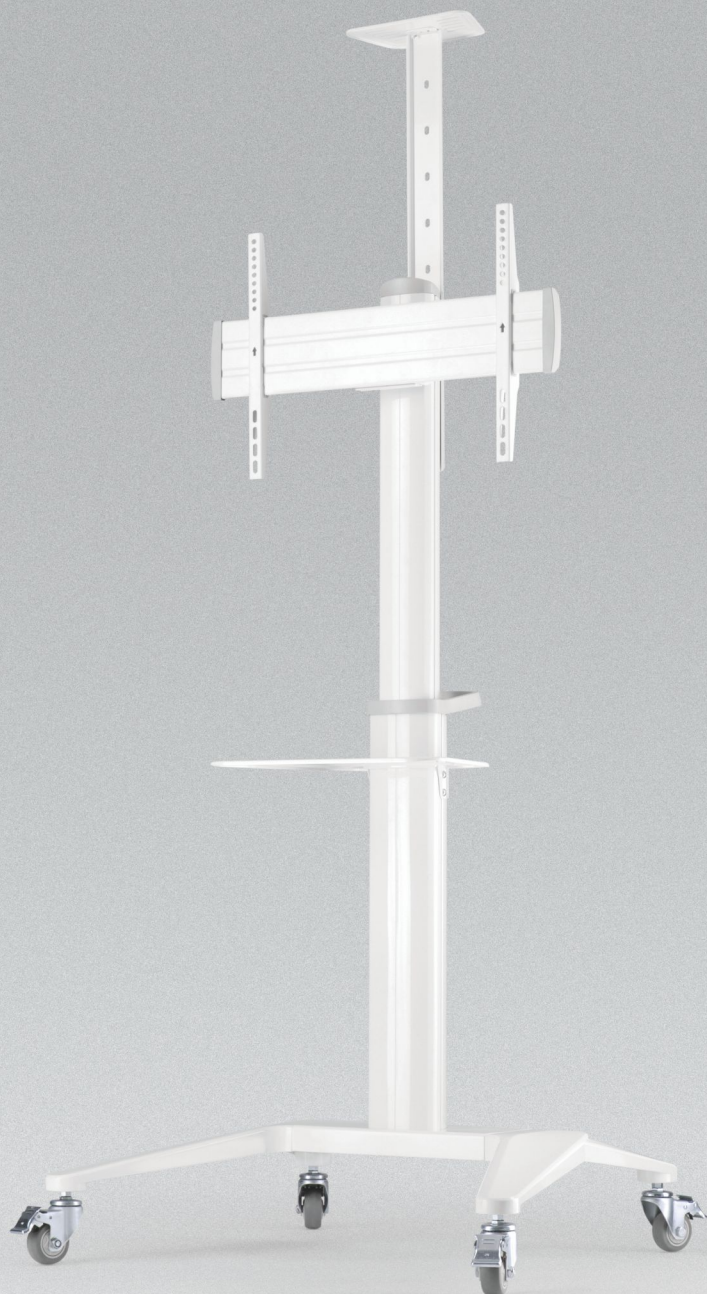


**LUMI**  
pro



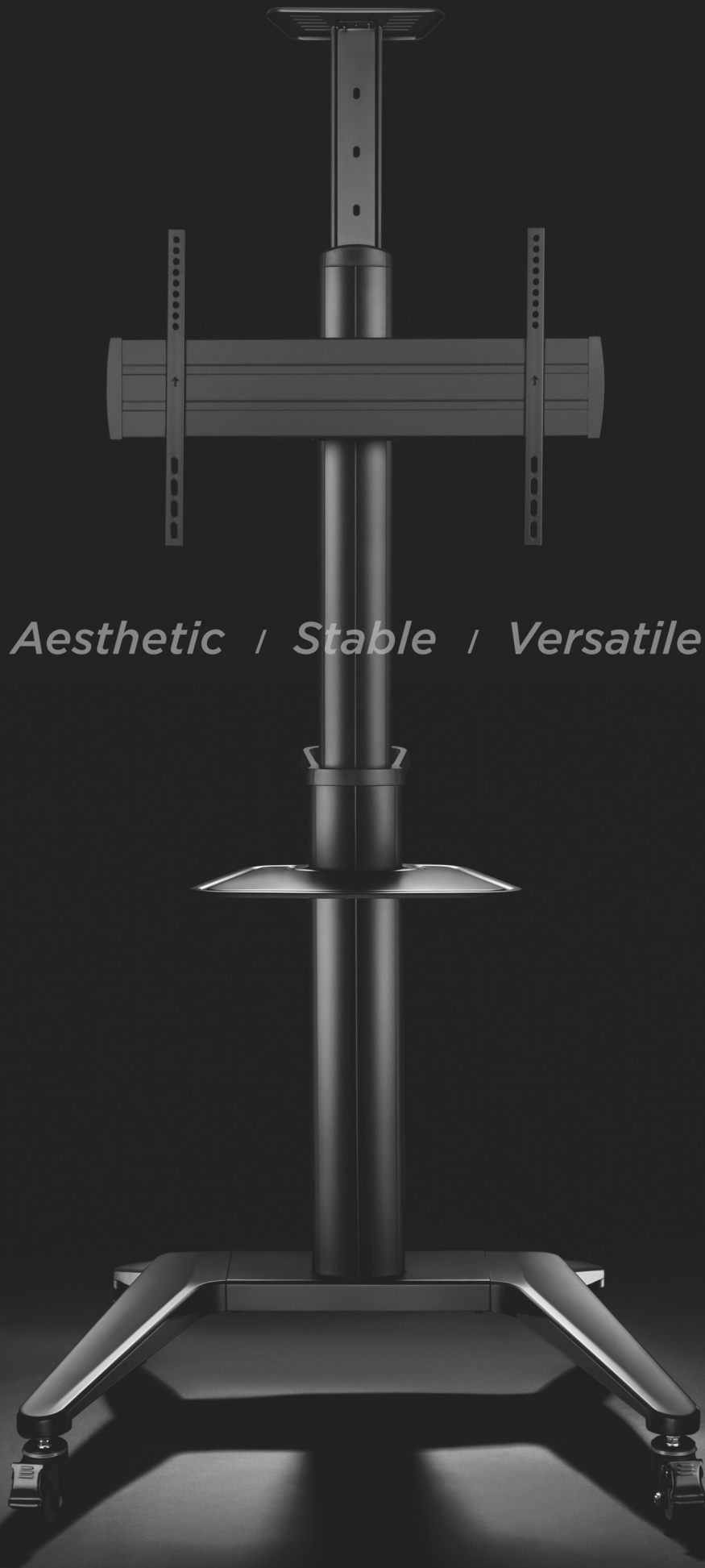
TT12 Series  
Features Video

TT12 Series  
**ULTRA-MODERN  
ALUMINUM TV CARTS**

E-mail: [info@lumi.cn](mailto:info@lumi.cn) / [www.lumi.cn](http://www.lumi.cn)

**LUMI**  
pro

*Aesthetic / Stable / Versatile*

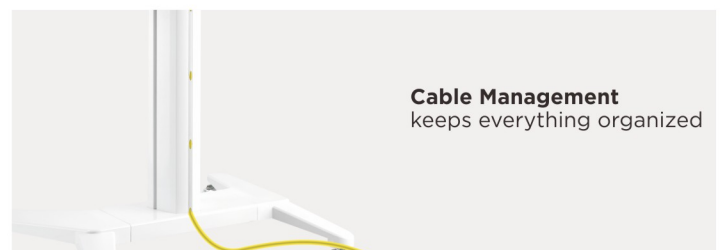
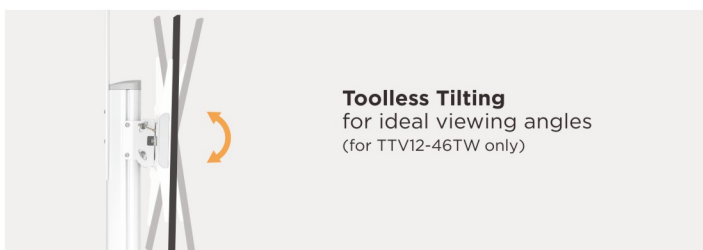
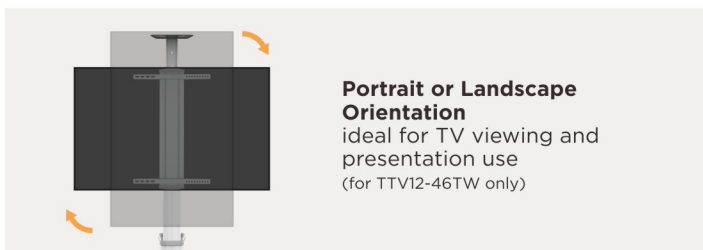
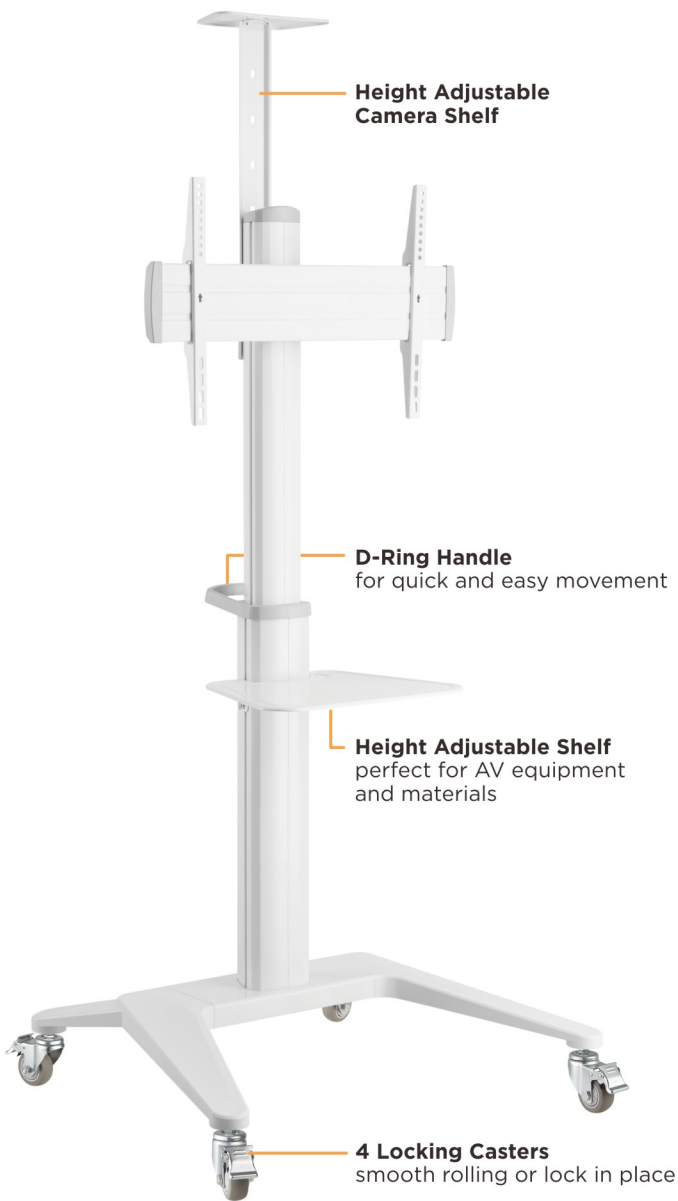


E-mail: [info@lumi.cn](mailto:info@lumi.cn) / [www.lumi.cn](http://www.lumi.cn)



# TT12 Series Ultra-Modern Aluminum TV Carts

**LUMI**  
pro

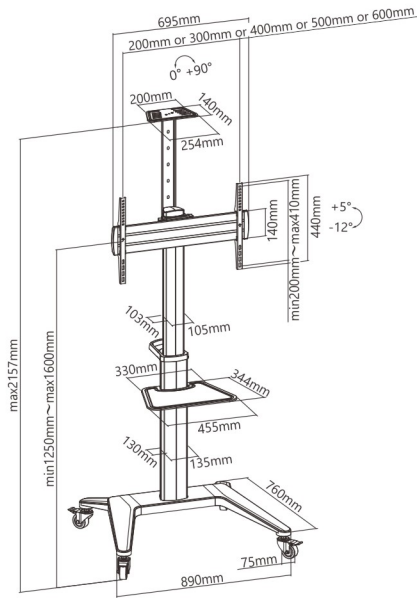


# TT12 Series

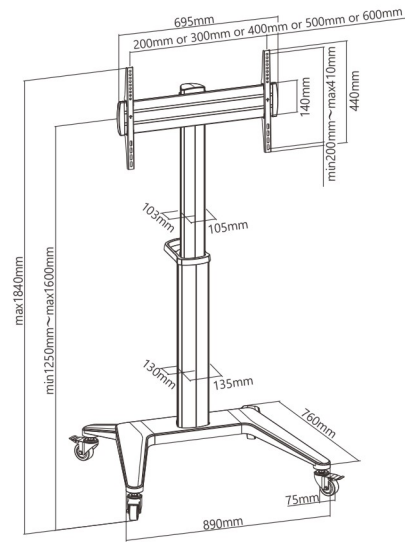
## Ultra-Modern Aluminum TV Carts

**LUMI**  
pro

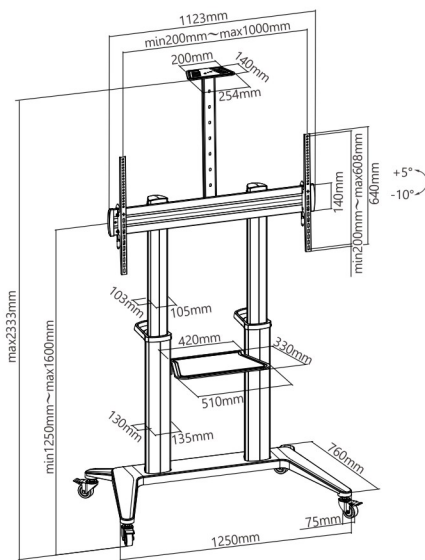
**TTV12-46TW** Landscape/Portrait Orientation



**TTF12-46TW** Landscape Orientation Only



**TTL12-610TW** Landscape Orientation Only



Colors:

Item No.	TTV12-46TW	TTF12-46TW	TTL12-610TW
Screen Size	37"-70"	37"-70"	70"-120"
Max. VESA	600x400	600x400	1000x600
TV Weight Capacity	70kg/154lbs	70kg/154lbs	140kg/308lbs
Shelf Weight Capacity	5kg/11lbs	/	5kg/11lbs
Strength Tested	Four Times	Four Times	Three Times
Tilt Range	+5°--12°	/	+5°--10°
Screen Rotation	0°--90°	/	/