

# Honeywell

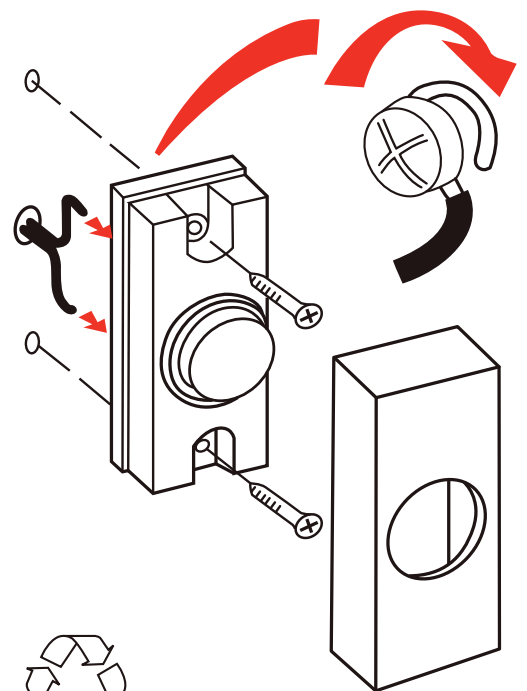
## Weatherproof Lightspot Pushbutton

Illuminated Wired Surface-Mounted Doorchime Designed for Residential Use



Actual size

- Features a warm white illuminated button for visibility in low-light conditions
- Black plastic construction with a white button, designed to fit on modern door frames
- Simple two-wire, surface-mount installation
- Includes hidden screws for a clean look
- Suitable for wired doorbell/chime circuits that use a transformer (HONE3554N)
- Dimensions: 60(l) x 26(w) x 24(h)mm
- IP65 rated for basic waterproof protection



Part No.	Description
D534IP65	Lighted Push Lightspot 8~15V IP65, Black