



◀ LDT97-C012E

LDT97-C012E & LDT97-C024E

Super Economical Monitor Arms

LDT97-C012E & LDT97-C024E
Super Economical Monitor Arms

Brateck



◀ LDT97-C024E

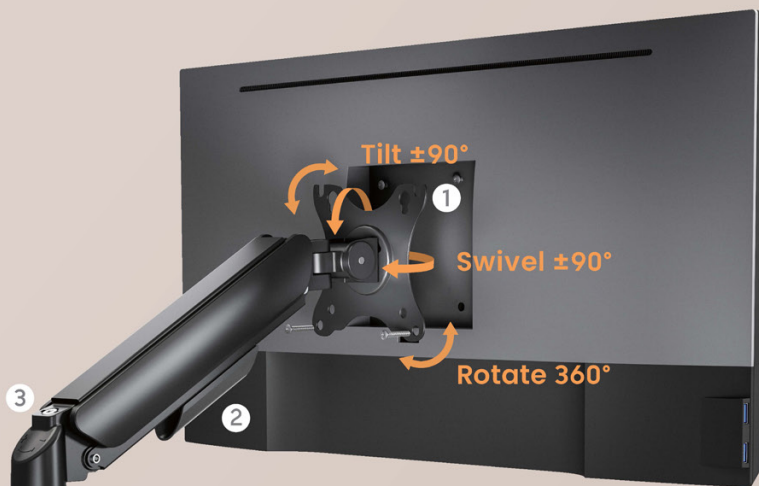
1 VESA Plate with Keyhole Slots
for easy installation and removal

2 Cable Management
helps to keep a tidy look

3 Built-In Spring Tension Mechanism
ensures perfect balance and adjustment
experience



4 Quick-Release Joint
for a compact package and easy assembly



Clamp

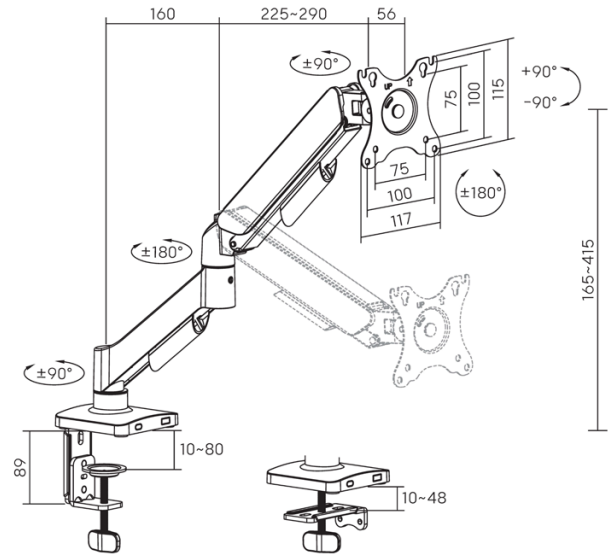


Grommet

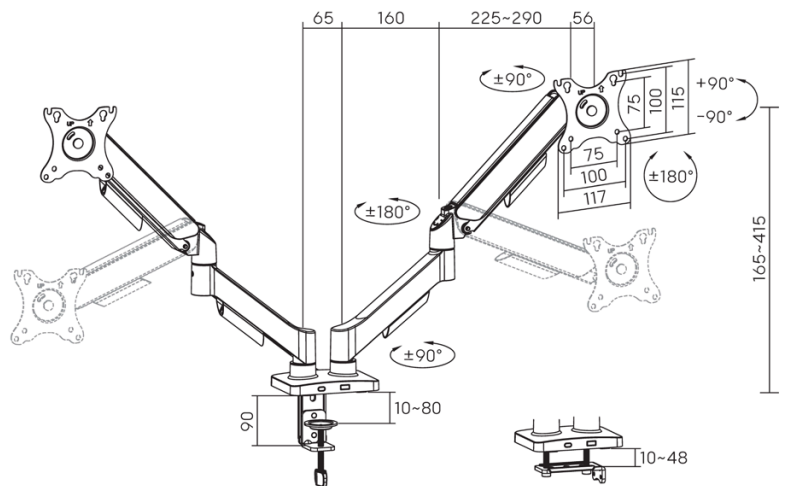
LDT97-C012E & LDT97-C024E
Super Economical Monitor Arms

Dimensions (mm)

LDT97-C012E



LDT97-C024E



Item No.	LDT97-C012E / LDT97-C024E
Fit Screen Size	17"-32"
Weight Capacity (per screen)	2~9kg (4.4lbs~19.8lbs)
Tilt Range	$+90^\circ \sim -90^\circ$
Swivel Range	$+90^\circ \sim -90^\circ$
Screen Rotation	$+180^\circ \sim -180^\circ$
Material	Steel, Plastic